

A

B

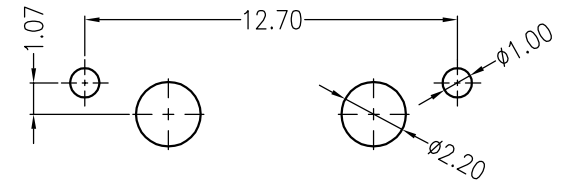
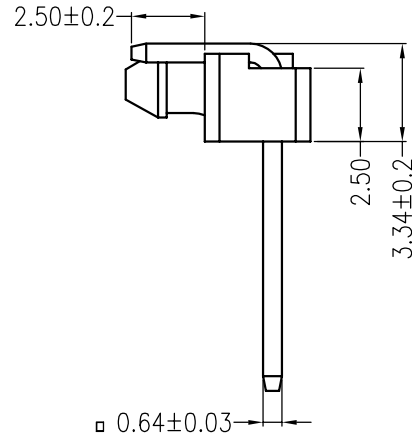
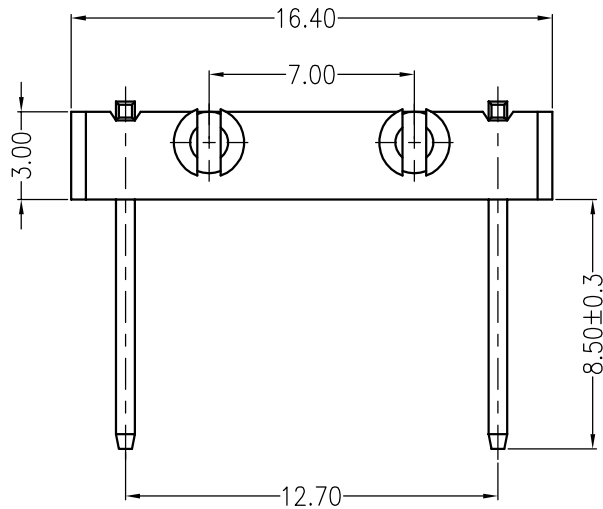
C

D

E

F

REV	ECN No.	DESCRIPTION	DESIGN	DATE
A	-	Release	蒋建银	2018.10.25



Board Layout
General Tolerance: ± 0.05

主要技术参数 Main Specifications

接触电阻 (Contact resistance): $\leq 20m\Omega$

绝缘电阻 (Insulation resistance): $\geq 1000M\Omega$

额定电压 (Rated voltage): 250V AC DC

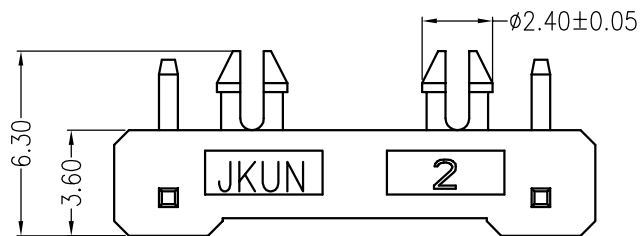
额定电流 (Rated current): 2.0A AC DC

耐电压 (Withstand Voltage): 1000V AC/minute

温度范围 (Temperature Range): $-25^{\circ}C \sim +85^{\circ}C$

ORDER INFORMATION:

L12704AWD-02-A4KB2-P-15	
PART No.	SPECIAL CODE: 15=弯针8.5*2.5*3.34
No.FOR CIRCUITS: 02	PACKAGING: P=PE
PLASTIC MATERIAL: A4K=PA66(BLACK)	Metal code: 2=Brass
	PLATING: B=MATTE Sn



ITEM	COMPONENT	Q'TY	MATERIAL	FINISH
C				
B	CONTACT	2 PCS	Brass	MATTE Sn-plated
A	HOUSING	1 PCS	PA66	UL 94V-0, COLOR:BLACK

.X \pm 0.35	X.±	USE: CUSTOMER	TITLE: L12704AWD 12.7Pitch 90°wafer dip type	
.XX \pm 0.25	.X±			PART NO.:
.XXX \pm 0.15	.XX±			L12704AWD-02-A4KB2-P-15
--	--	APPD: 邵敬和	DWG NO.:	
		CHKD: 田峰	CKH-1242	
		DR: 蒋建银	SCALE	SHEET
			1 : 1	1 / 1

A

B

C

D

E

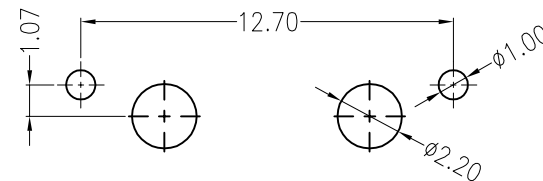
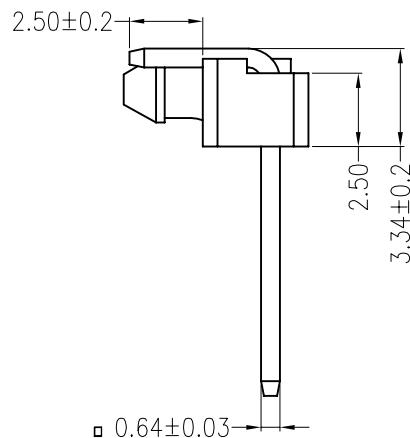
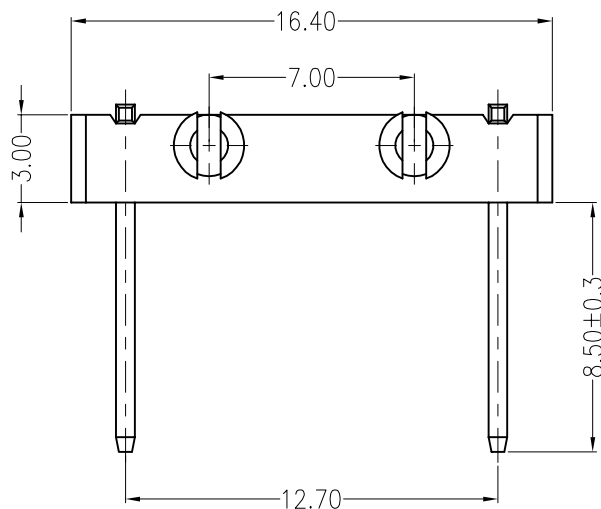
F

定制品

起订量

5万PCS

REV	ECN No.	DESCRIPTION	DESIGN	DATE
A	-	Release	蒋建银	2018.04.02

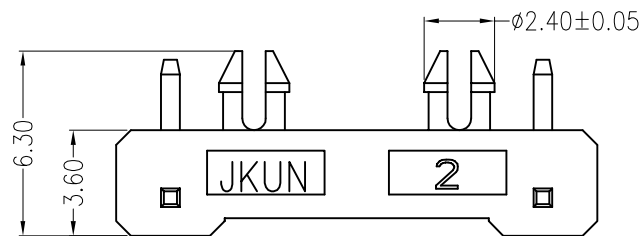
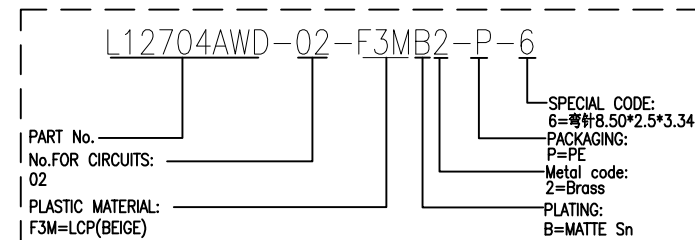


Board Layout
General Tolerance: ±0.05

主要技术参数 Main Specifications

- 接触电阻 (Contact resistance): $\leq 20m\Omega$
- 绝缘电阻 (Insulation resistance): $\geq 1000M\Omega$
- 额定电压 (Rated voltage): 250V AC DC
- 额定电流 (Rated current): 2.0A AC DC
- 耐电压 (Withstand Voltage): 1000V AC/minute
- 温度范围 (Temperature Range): $-40^{\circ}C \sim +120^{\circ}C$

ORDER INFORMATION:



C				
B	CONTACT	2 PCS	Brass	MATTE Sn-plated
A	HOUSING	1 PCS	LCP	UL 94V-0, COLOR:BEIGE
ITEM	COMPONENT	Q'TY	MATERIAL	FINISH
东莞市高迪电子有限公司 DONG GUAN GAO DI ELECTRONICS CO., LTD		TITLE: L12704AWD 12.7Pitch 90°wafer dip type		
.X±0.35	X.±	USE:	PART NO.:	
.XX±0.25	.X±	CUSTOMER	L12704AWD-02-F3MB2-P-6	
.XXX±0.15	.XX±	APPD: 谭龙清	DWG NO.:	
--	--	CHKD: 田峰	GCKH-1131	
	UNITS: mm	DR: 蒋建银	SCALE 1 : 1	SHEET 1 / 1